

BLINK SOLAR

How much is the 12v sine inverter



Overview

What is a 12 volt pure sine wave inverter?

A 12 Volt Pure Sine Wave Inverter is a device that converts 12-volt direct current (DC) into pure sine wave alternating current (AC). This type of inverter produces a smooth, sinusoidal waveform that closely resembles the power supplied by utility companies.

What is a true sine inverter?

True sine inverter DC 24V to AC 110V/220V/230V/240V, 50/60Hz frequency can be selected. 24 volt pure sine wave 200W inverter with multiple protections, such as overload protection, over temperature protection, over voltage protection, and short circuit protection. The working temperature of this pure sine wave power inverter between -20 °C to 70 °C.

What is the best sine wave power inverter?

Top Recommendation: BESTEK 500W Pure Sine Wave Power Inverter DC 12V to AC 110V Why We Recommend It: This inverter's true sine wave output matches grid power, protecting sensitive devices and reducing wear. It includes two AC outlets, two USB ports with fast charging, and a robust aluminum casing with a built-in fan for quiet operation.

What is a pure sine wave ups power inverter?

A pure sine wave ups (uninterruptible power supply) inverter is a device that converts DC power from a battery or another DC source into AC power with a pure sine wave output. The main purpose of a pure sine wave ups power inverter is to provide backup power during electrical outages or fluctuations.

How much is the 12v sine inverter

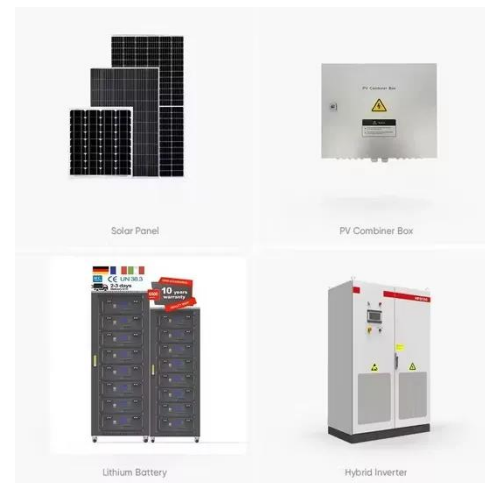


Pure Sine Power Inverters: 12-Volt, 24-Volt, ...

Explore a vast assortment of top-quality pure sine power inverters at The Inverter Store. Get clean power to run all your sensitive and complex ...

12V input Pure Sine Wave Inverters , DonRowe

Pure Sine Wave Power Inverters with an input of 12V in a variety of sizes. Pure Sine or True Sine Inverters are more suited for sensitive electrical or electronic items as they produce a better ...

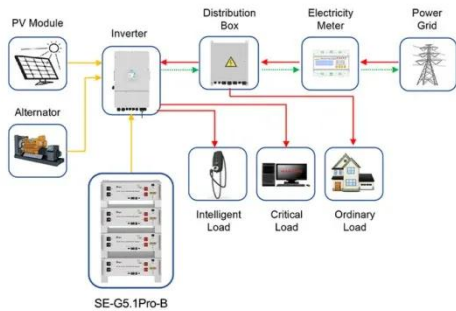


Pure Sine Power Inverters: 12-Volt, 24-Volt, 48-Volt

Explore a vast assortment of top-quality pure sine power inverters at The Inverter Store. Get clean power to run all your sensitive and complex electronics.

Amazon : 500 Watt Pure Sine Wave Inverter, 12V DC to ...

500 Watt Pure Sine Wave Inverter, 12V DC to 110V 120V AC Converter with Two AC Outlets, Two USB Charging Ports, One Type-C Charging Ports, Clear LCD Display, Car ...



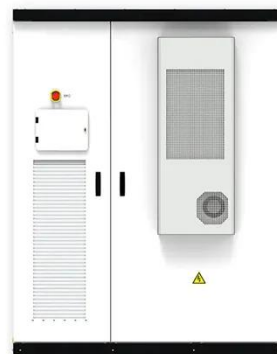
Application scenarios of energy storage battery products

5 Best Pure Sine Wave Inverters 2025 - Reviews and Buying ...

The solution here is to get one of the best pure sine wave inverters. However, many considerations go into choosing inverters, like how many devices you have, how much ...

Renogy

Shop Renogy 1000W 12V Pure Sine Wave Inverter Black products at Best Buy. Find low everyday prices and buy online for delivery or in-store pick-up. Price Match Guarantee.



12v Pure Sine Wave Inverters

12v Pure Sine Wave Inverters BatteryStuff is pleased to offer 12v pure sine wave inverters also known as 12v

true sine wave inverters by Samlex America and Xantrex. ...



5 Best Pure Sine Wave Inverters 2025 - ...

The solution here is to get one of the best pure sine wave inverters. However, many considerations go into choosing inverters, like ...



Amazon : 500 Watt Pure Sine Wave ...

500 Watt Pure Sine Wave Inverter, 12V DC to 110V 120V AC Converter with Two AC Outlets, Two USB Charging Ports, One Type-C ...

Buy Pure Sine Wave Inverter 12V 300W

Pure Sine Wave inverters by MAXIMA not only have extremely pure output but

also incorporate features that are crucial in maintaining system-wide ...



Best 12 Volt Pure Sine Wave Inverter [Updated: December ...

Contrary to what manufacturers claim about lower wattage, I found that not all 12-volt pure sine wave inverters are equal. After hands-on testing, the BESTEK 500W Pure Sine ...

Amazon : 12v Sine Wave Inverter

BELTTT 1000Watt Pure Sine Wave Inverter 12V DC to 120V AC for RV, Truck, Off-Grid Solar Car Power Inverter 12V to 110V Converter with Dual AC Socket and 5V 2.1A USB, Intelligent LCD, ...



Pure Sine Wave Inverter (12v/24v/48v) , inverter

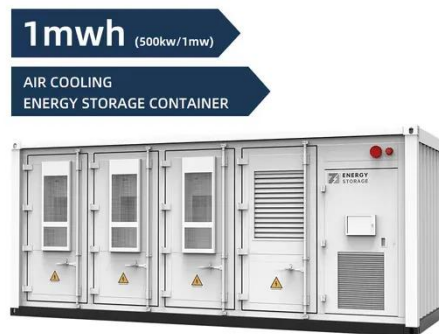
Good price and high quality pure sine wave inverter for sale online. This pure



sine inverter with 12V voltage and 150 watt output power. 150W pure sine wave inverter built-in multiple ...

Buy Pure Sine Wave Inverter 12V 300W , Maxima Solar Inverter

Pure Sine Wave inverters by MAXIMA not only have extremely pure output but also incorporate features that are crucial in maintaining system-wide coherence and rugged performance. Buy ...



Contact Us

For catalog requests, pricing, or partnerships, please contact:

BLINK SOLAR

Phone: +48-22-555-9876

Email: info@blinkartdesign.pl

Website: <https://blinkartdesign.pl>

Scan QR code to visit our website:

