

**BLINK SOLAR**

# **Inverter for household appliances**



## Overview

---

How to choose the right power inverter for your home?

Choosing the right power inverter for your home involves understanding your power needs, selecting the right type and capacity, ensuring compatibility with a suitable battery, and paying attention to features and brand reliability. Inverter Store can also give a help for your selection.

What are the different types of inverters suitable for home use?

There are several types of inverters suitable for home use, each offering different features, efficiency levels, and applications. Choosing the right type depends on factors such as power needs, budget, and usage patterns. Below are the main types of inverters ideal for household applications: Pure Sine Wave Inverter.

What makes a good power inverter?

Good waveform quality prevents damage to appliances and ensures smooth operation. Choosing the right power inverter for your home involves understanding your power needs, selecting the right type and capacity, ensuring compatibility with a suitable battery, and paying attention to features and brand reliability.

What is a power inverter used for?

A power inverter converts DC power from batteries to AC power for household devices. It's useful in homes, RVs, and during travel. [How Do I Choose The Right Power Inverter?](#)

Consider wattage, type (pure sine wave or modified), and features like outlets and USB ports. Match it to your power needs. [Are Power Inverters Safe For Sensitive Electronics?](#)

## Inverter for household appliances

---



### Step-by-Step Guide to Select Best Inverter for ...

Find out how to choose the best inverters for home with tips on capacity, battery type, brand, and features to ensure reliable backup ...

---

### Best Inverter Guide: How to Choose the Right Inverter for ...

...

An inverter is an electrical device that converts DC into AC. This conversion is essential because most household appliances and electronic devices operate on AC power, ...



---

### The Ultimate Guide to Choosing the Best Inverter for Home ...

Modified sine wave inverters Modified sine wave inverters are a relatively economical choice for most household appliances. This type of inverter is relatively ...



## How to select the Perfect Inverter for your house: A ...

3?How long can an inverter power my household appliances during a blackout? The backup power duration provided by an inverter depends on various factors, including the ...



## How To Choose The Best Inverters For Home , Complete Guide

An inverter is a device that converts direct current (DC) power from batteries into alternating current (AC) power that runs most household appliances. During a power outage, ...

## Best Inverter For Home Appliance [Updated: August 2025]

This inverter's real-time LCD monitor is a game-changer--it shows battery voltage, load, and system status at a glance. Plus, its robust build and multiple sockets make it perfect ...



## Step-by-Step Guide to Select Best Inverter for Home



Find out how to choose the best inverters for home with tips on capacity, battery type, brand, and features to ensure reliable backup during power cuts.

## How to Choose the Best Inverter for Home Use: A Complete ...

An inverter for home converts direct current (DC) electricity stored in batteries--or generated by solar panels--into alternating current (AC), which powers standard household ...



## 7 Simple Inverter Circuits you can Build at Home

These 7 inverter circuits might look simple with their designs, but are able to produce a reasonably high power output and an efficiency ...

## A Comprehensive Guide to Selecting an Inverter for Home Use

A Comprehensive Guide to Selecting an Inverter for Home Use Introduction  
 Inverters play a crucial role in converting direct current (DC) electricity from renewable energy ...

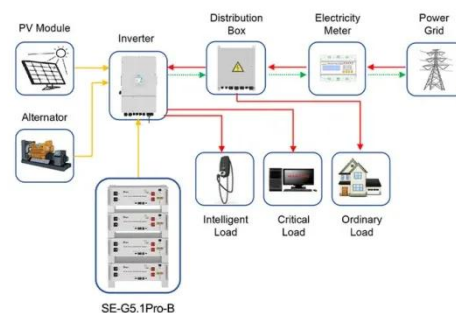


## How Inverters Work: Understanding the Basics and ...

An inverter is an electronic device that converts DC power (from batteries, solar panels, or other DC sources) into AC power, which is what most household appliances and ...

## Top 10 Power Inverters for Home: Reliable and Efficient ...

Inverters are essential for converting DC to AC power, providing electricity during outages or off-grid living. This blog post reviews the top 10 power

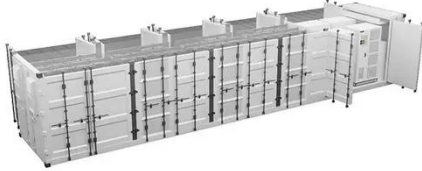


Application scenarios of energy storage battery products

## How to Choose the Right Inverter For Home? , inverter

A well-chosen inverter can provide peace

of mind during outages, protect your appliances, and even help you move towards greener energy solutions with solar integration. ...



---

## Contact Us

---

For catalog requests, pricing, or partnerships, please contact:

### **BLINK SOLAR**

Phone: +48-22-555-9876

Email: [info@blinkartdesign.pl](mailto:info@blinkartdesign.pl)

Website: <https://blinkartdesign.pl>

*Scan QR code to visit our website:*

