

**BLINK SOLAR**

# **Morocco container ship generator model**



## Overview

---

What is container type diesel generator set?

Container type Diesel Generator Set Jet power supply container type generator set is design in accordance with ISO/TC104 standard size, rational construction, to make sure the generator set will not be damaged due to under high pressure in transport, and is suitable for ship transportation.

What is jet power supply container type generator set?

Jet power supply container type generator set is design in accordance with ISO/TC104 standard size, rational construction, to make sure the generator set will not be damaged due to under high pressure in transport, and is suitable for ship transportation. We can supply the 20' container, 40' container, and widen or heighten container type.

How to choose a generator for a ship?

Because the ship is for the transport of cargo, it is essential to design the capacity of the appropriate equipment. The size of the generator that supplies power to the ship is calculated in consideration of the safety margin along with the setting of the maximum usable load [ 20, 21, 22, 23, 24 ].

What is a containerised generator?

Our Containerised Generators deliver robust, high-capacity power from 300-3,000 kVA in secure, weather-resistant enclosures. Designed for challenging environments and critical applications, they offer noise reduction, easy transport, and bespoke configuration to meet your site's exact needs.

## Morocco container ship generator model

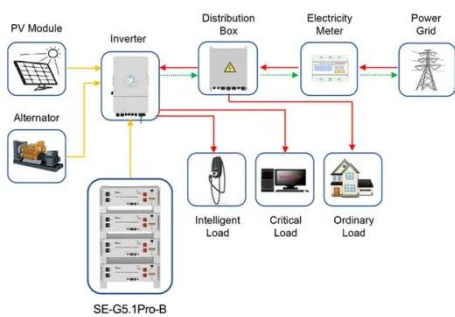


### Marine Generating Set for Container Ship

The marine generating set for the container ship is a marine equipment set on the container ships to provide large electrical power. There is the main ...

### Application of Generator Capacity Design ...

Because the ship is for the transport of cargo, it is essential to design the capacity of the appropriate equipment. The size of the ...



Application scenarios of energy storage battery products

### Shipping Generators to Morocco

Standard shipping containers are unsuitable; instead, flat rack containers offer superior accessibility and load capacity, accommodating the generator's dimensions. This ...

## Shaft Generator - ECORESERVE ENGINEERING

Shaft Generator Applications ? Container Ships - Ensures efficient power generation during long-haul voyages. ? Bulk Carriers & Tankers - Supports fuel-saving strategies and emission ...



## Morocco boosts shipbuilding activity by 2024

This is why the Moroccan government, led by Aziz Akhannouch, has taken the decision to increase the number of container cargo ships to 100 over the next 15 years. These ...

## (PDF) Prediction of the very-and ultra-large Container Ships

Using a simple linear regression model based on the least squares method, a formula was developed to predict the electricity generation capacity of very-and ultra-large container ships ...



## Marine Generating Set for Container Ship

The marine generating set for the container ship is a marine equipment set



on the container ships to provide large electrical power. There is the main generating set, the emergency generating ...

---

### Morocco Launches a Push to Become a ...

According to the ANP, the project draws direct inspiration from the automotive industry model, which has enabled Morocco to become a ...



18650 3.7V  
RECHARGEABLE BATTERY  
Li-ion  
2000mAh



---

### Rabat Container Generator Factory Powering Morocco s ...

In Morocco's bustling capital, Rabat container generator factories are solving a critical puzzle: how to deliver reliable power for rapid infrastructure development while maintaining environmental ...

---

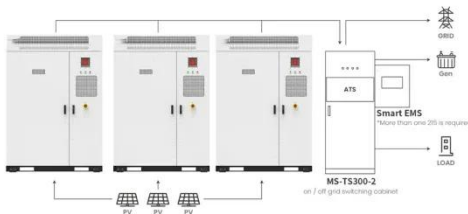
### Application of Generator Capacity Design Technique ...

Because the ship is for the transport of cargo, it is essential to design the

capacity of the appropriate equipment. The size of the generator that supplies power to the ship is ...



3.2v 280ah



Application scenarios of energy storage battery products

### Morocco Launches a Push to Become a Shipbuilding Hub in ...

According to the ANP, the project draws direct inspiration from the automotive industry model, which has enabled Morocco to become a key player in industrial exports. "We ...

### Morocco boosts shipbuilding activity by 2024 ...

This is why the Moroccan government, led by Aziz Akhannouch, has taken the decision to increase the number of container ...



-  **All In One**  
Integrating battery packs
-  **High-capacity**  
50-500kWh
-  **Degree of Protection**  
IP54
-  **Operating Temperature Range**  
-20-60°C(Derating above 50 °C)
-  **Intelligent Integration**  
integrated photovoltaic storage cabinet
-  **Rated AC Power**  
50-100kW
-  **Altitude**  
3000m(>3000m derating)

### 20Ft Container Diesel Generator

Container type Diesel Generator Set Jet power supply container type generator set is design in accordance with

ISO/TC104 standard size, ...



---

## Containerised Generators

Containerised generators designed to your exact requirements. Noise requirements, fire-safety, cabling, control interfaces and fuel solutions.



---

## 20Ft Container Dese Generator

Container type Diesel Generator Set Jet power supply container type generator set is design in accordance with ISO/TC104 standard size, rational construction, to make sure the generator ...

---

## Contact Us

For catalog requests, pricing, or partnerships, please contact:

**BLINK SOLAR**

Phone: +48-22-555-9876

Email: [info@blinkartdesign.pl](mailto:info@blinkartdesign.pl)

Website: <https://blinkartdesign.pl>

*Scan QR code to visit our website:*

