

BLINK SOLAR

Off-grid Solar Container 40kWh Purchase Guide



Overview

What is an off grid solar power system?

On Grid Solar Power System Off grid solar power system doesn't connect to the power grid. In general, it includes solar panels, charger controller, batteries and inverter. This system will store the solar power into the batteries, batteries energy will be converted the electricity power to supply the appliances working through the inverter.

What is a 40 kW solar system?

These 40 kW size grid-connected solar kits include solar panels, DC-to-AC inverter, rack mounting system, hardware, cabling, permit plans and instructions. These are complete PV solar power systems that can work for a home or business, with just about everything you need to get the system up and running quickly.

Are solar energy containers a beacon of off-grid power excellence?

Among the innovative solutions paving the way forward, solar energy containers stand out as a beacon of off-grid power excellence. In this comprehensive guide, we delve into the workings, applications, and benefits of these revolutionary systems.

What components do I need for an off-grid Solar System?

Below is a combination of multiple calculators that consider these variables and allow you to size the essential components for your off-grid solar system: The solar array. The battery bank. The solar charge controller. The power inverter. Simply follow the steps and instructions provided below.

Off-grid Solar Container 40kWh Purchase Guide



40kW Off Grid solar system (38.4kWh)

Optimal Application: Off-grid resorts and eco-lodges benefit greatly from a 40kW Off Grid Solar System. These establishments often prioritize ...

8KVA 40KWH Power Storage Wall for Solar Off-Grid Home ...

In conclusion, the GSL 8KVA 40KWH Power Storage Wall for Solar off grid home system storage is a game-changer in the realm of solar energy storage solutions. Its efficient ...



40kVA 40kW Single Phase Solar Kit Price

Flexible, Scalable Design and Efficient 40kVA 40kW Single Phase Solar Kit. With Lithium-ion Battery Off Grid Solar Plant For A Factory, Hotel, or Village.

The Complete Off Grid Solar System Sizing Calculator

An off-grid solar system's size depends on factors such as your daily energy consumption, local sunlight availability, chosen equipment, the appliances that you're trying to ...



Our Lifepo4 batteries can be connected in parallel and in series for larger capacity and voltage.



40KW Complete Offgrid Solar Kit

40KW Complete Offgrid Solar Kit + 3x 15K Sol-Ark Inverter + 40.15KW Solar with Ground Mount Rails and Wiring This Package is a great package for a Complete Offgrid Home.

40 kW Solar Kits

These 40 kW size grid-connected solar kits include solar panels, DC-to-AC inverter, rack mounting system, hardware, cabling, permit plans and instructions. These are complete PV ...

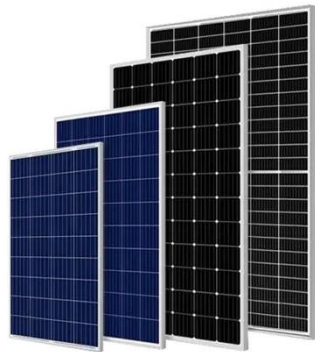
ESS



40KW Solar System With Battery Off Grid ...

40KW Off Grid Hybrid Solar System with 40 kwh server rack lithium battery.

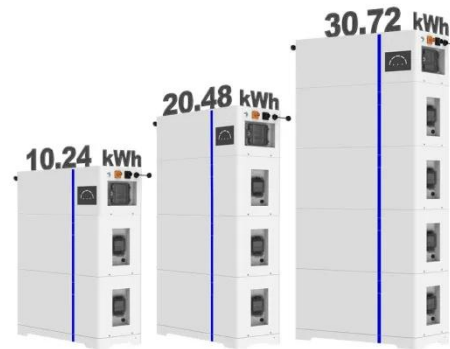
Flexible Configuration. Can be customized according to your needs.



40KW Complete Offgrid Solar Kit

40KW Complete Offgrid Solar Kit + 3x 15K Sol-Ark Inverter + 40.15KW Solar with Ground Mount Rails and Wiring This Package is a great package for ...

ESS



Product Details



40KWh Mobile Foldable Solar Storage Container (10ft)

The H10GP-M-30K40 delivers 30kW of solar generation and 40kWh of storage, housed in a 10ft mobile foldable container. Using high-efficiency 480W panels, it's engineered ...

The Complete Off Grid Solar System Sizing ...

An off-grid solar system's size depends on factors such as your daily energy

consumption, local sunlight availability,
chosen equipment, ...



40kVA 40kW Single Phase Solar Kit Price

Flexible, Scalable Design and Efficient
40kVA 40kW Single ...

40kW Off Grid solar system (38.4kWh)

Optimal Application: Off-grid resorts and
eco-lodges benefit greatly from a 40kW
Off Grid Solar System. These
establishments often prioritize
sustainability and energy autonomy to
attract ...



UNLOCKING OFF-GRID POWER: THE ULTIMATE GUIDE TO SOLAR ENERGY CONTAINERS

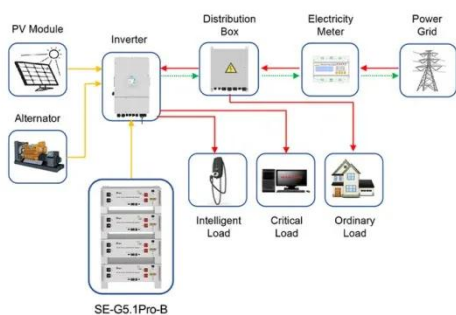
In today's dynamic energy landscape,



harnessing sustainable power sources has become more critical than ever. Among the innovative solutions paving the way forward, solar ...

40KVA 40KW Off Grid Solar Power System ...

When main power off, the solar system can switch automatically to take use off solar power from battery to run load, When ...



Application scenarios of energy storage battery products

40 kW Solar Kits

These 40 kW size grid-connected solar kits include solar panels, DC-to-AC inverter, rack mounting system, hardware, cabling, permit plans and ...

40KW Solar System With Battery Off Grid Hybrid Power System

40KW Off Grid Hybrid Solar System with 40 kwh server rack lithium battery.

Flexible Configuration. Can be customized according to your needs.



40KVA 40KW Off Grid Solar Power System With Battery ...

When main power off, the solar system can switch automatically to take use off solar power from battery to run load, When solar power not enough and power off, it can ...

Contact Us

For catalog requests, pricing, or partnerships, please contact:

BLINK SOLAR

Phone: +48-22-555-9876

Email: info@blinkartdesign.pl

Website: <https://blinkartdesign.pl>

Scan QR code to visit our website:

