

BLINK SOLAR

Southern Power Grid solar Panels



Overview

What is China Southern power grid?

China Southern Power Grid (“Southern Grid”) is one of China’s two major state-owned power distributors that serve five southern provinces: Guangdong, Guangxi, Yunnan, Guizhou and Hainan. The region has witnessed a rapid build-up of power generation capacity, from 275 GW in 2015 to 350 GW in 2020.

Does Southern Power own a solar power plant?

Southern Power currently owns or operates more than 2,395 megawatts of solar generating capacity at 28 facilities operating in California, Georgia, Nevada, New Mexico, North Carolina and Texas. Twenty-six of these facilities are co-owned by third parties, with Southern Power having the majority ownership.

Can China decarbonize the southern power grid by 2060?

Decarbonization of the Southern Power Grid in China is feasible by 2060 but requires converting a large cropland area to support solar and wind energy; expansion of hydropower will impact the transboundary rivers according to a power system optimization model set up for 2020–2060.

What is solar energy?

Solar power is energy from the sun that is converted into thermal or electrical energy. Solar energy is the cleanest and most abundant renewable energy source available, and the U.S. has some of the richest solar resources in the world.

Southern Power Grid solar Panels



Analysis: How does China's Southern Grid facilitate more

...

Clean energy in the Southern Grid region China Southern Power Grid ("Southern Grid") is one of China's two major state-owned power distributors that serve five southern ...

China Southern Power Grid's decarbonization likely to ...

Decarbonization of the Southern Power Grid in China is feasible by 2060 but requires converting a large cropland area to support solar and wind energy; expansion of ...

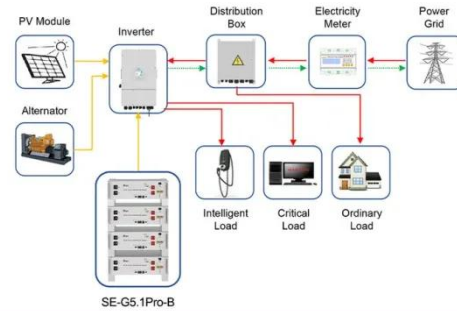


Welcome to China Southern Power Grid

Safe Power Supply Science and Innovation UHVDC Smart Grid Energy Storage Simulation Laboratory Pumped Storage DC-based Deicing Environment Ecological ...

Connecting Solar and Storage Systems to the Southern China Power Grid

- o Grid Compliance: Systems must adhere to GB/T standards for voltage, frequency, and harmonics.
- o Interconnection Agreements: A formal agreement with the local ...



Application scenarios of energy storage battery products



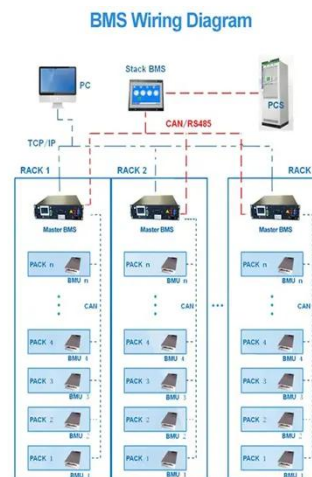
Solar power generation connected to the Southern ...

What is solar systems integration? Solar systems integration involves developing technologies and tools that allow solar energy onto the electricity grid, while maintaining grid reliability, ...

Southern Power Grid Photovoltaic Panel Installation

...

The document provides the minimum knowledge required when designing a PV Grid connect system. The actual design criteria could include: specifying a specific size (in kWp) for an ...



China's largest floating photovoltaic power station fully



China's largest floating photovoltaic power station, Anhui Fuyang Southern Wind-solar-storage Base floating photovoltaic power station, achieved full capacity grid connection ...

Contact Us

For catalog requests, pricing, or partnerships, please contact:

BLINK SOLAR

Phone: +48-22-555-9876

Email: info@blinkartdesign.pl

Website: <https://blinkartdesign.pl>

Scan QR code to visit our website:

